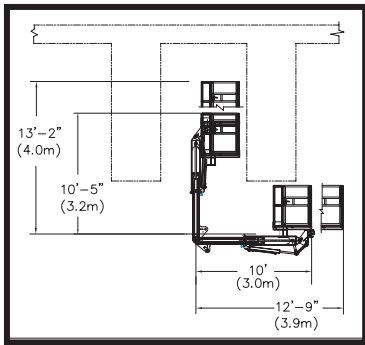


# Platform Features

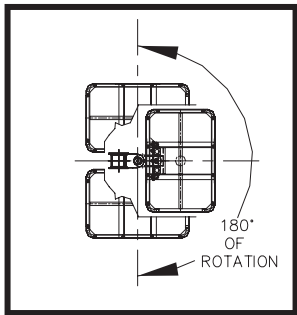
## Telescoping 4th boom

The Aspen A-62 has the capability of providing inspectors with over 13' (4m) of vertical reach. This fully hydraulic feature will enable you to get up and behind your deepest girders for a close-up inspection.



## Rotating Platform

The added flexibility of a 180 degree rotating platform makes maneuvering into working positions easy, increasing productivity and efficiency.

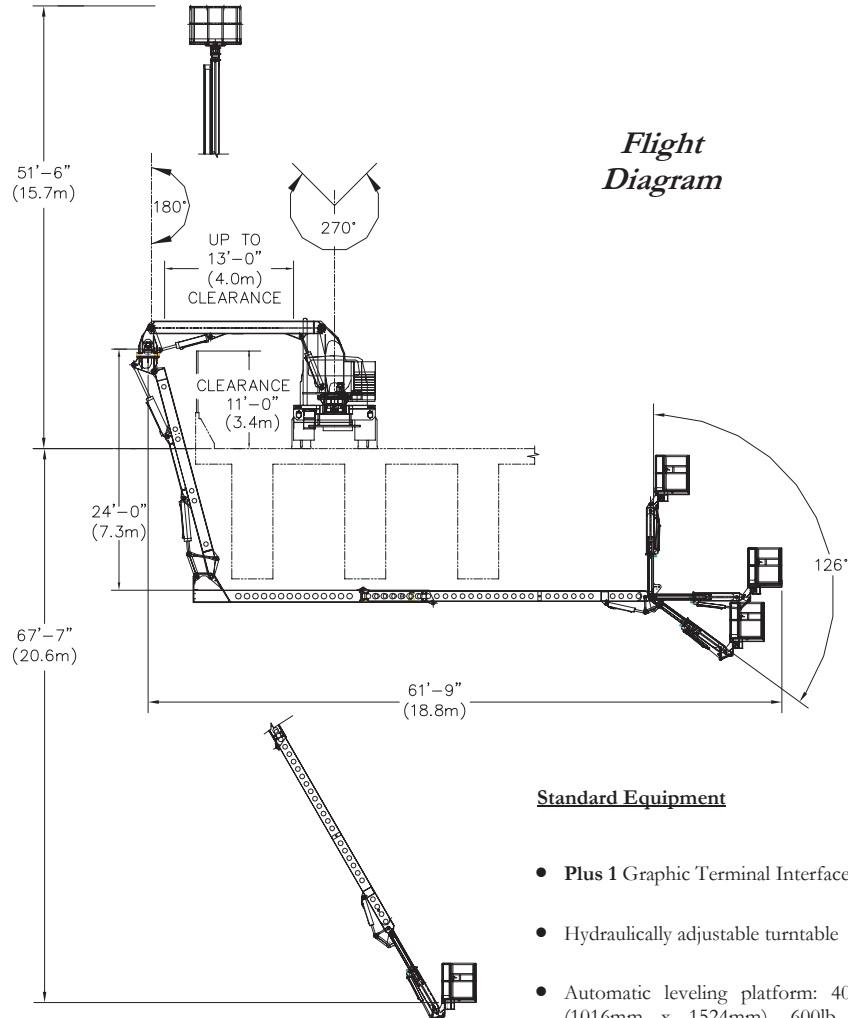


Aspen Aerials, Inc.  
4303 West 1st Street  
Duluth, MN 55807

Phone: 218-624-1111  
Toll Free: 800-888-2773  
Fax: 218-624-1714  
Web site: [www.aspenaerials.com](http://www.aspenaerials.com)



# Specifications



## Standard Equipment

- Plus 1 Graphic Terminal Interface
- Hydraulically adjustable turntable
- Automatic leveling platform: 40" x 60" (1016mm x 1524mm), 600lb. (272kg) capacity w/access gate
- 2 sets of controls: one set in the platform and one set at the pedestal
- 4 articulating booms (3rd & 4th booms telescope); 2 rotating turrets, rotating platform
- Stability interlocks with monitoring system
- Two power systems: power take-off from the truck's transmission and a back-up diesel power unit
- 12-volt intercom system between platform,

Horizontal Underbridge Reach	61'-9" / 18.8m
Vertical Reach Down	67'-7" / 20.6m
Vertical Reach Up	51'-6" / 15.7m
Boom no. 1 movement	+30 to - 35 degrees
Boom no. 2 movement	+ 0 to -105 degrees
Boom no. 3 movement	+90 to - 60 degrees
Boom no. 4 movement	+90 to - 36 degrees
Space Required on Bridge	102" / 2.5m
Basket Capacity	600 lbs. / 272 kg.
Basket Size	40" x 60" x 42" 1010mm x 1520mm
Overall Length	40' / 12.2m *
Overall Height	13'-3" / 4.0m *

\* May vary depending on chassis

## Available Options:

- Air Compressor and air line in platform
- Generator with electrical outlet in platform
- Platform Heaters & Floodlights
- Remote Controls



Various chassis configurations available